



JDN BIG BAG HANDLING AIR HOISTS



JDN BIG BAG HANDLING AIR HOISTS

BBH 1000 AND BBH 2000

JDN BIG BAG HANDLING AIR HOISTS

For big bag handling J.D. Neuhaus offers innovative design solutions to meet the special requirements of these applications.

JDN Big Bag Handling Air Hoists are available in capacities of 1100 kg and 2200 kg with an air pressure of 6 bar.

DESIGNS WITH ONE OR TWO LOAD HOOKS

With one load hook for standard cruciform lifting beam designs. The extended distance between the hook and the chain box is particularly advantageous. This guarantees that there is no risk of collision between the load and the chain box. With twin load hooks for more complex cruciform lifting beam designs or for standard lifting beam designs with two suspension points.

THE ADVANTAGES AT A GLANCE

- Particularly suited for use as big bag handling hoists and for the movement of all kinds of bulky loads due to the low headroom design.
- Compact, modern design.
- Suitable for use as a synchronised hoist in twin-hook design.
- The use of JDN standard components guarantees reliable operation and cost effective manufacture.
- No additional motor lubrication required.
- Small number of maintenance/wear free moving parts.

TAKE ADVANTAGE OF THE DRIVING MEDIUM AIR:

- Suitable for use as standard in areas at risk of explosion. Explosion protection classification according to Directive 94/9/EG (Equipment and Protective Systems Intended for use in Potentially Explosive Areas (ATEX)).

The hoists are available for the following explosion protection classifications:

- II 2G Ex h IIA T4 Gb X
- II 2D Ex h IIIA T130°C Db X
- II 2G Ex h IIB T4 Gb X
- II 2D Ex h IIIB T130°C Db X or
- II 2G Ex h IIC T4 Gb X
- II 2D Ex h IIIC T130°C Db X

- 100 % duty rating, and thus no downtimes.



BBH 1000-2

JDN BIG BAG HANDLING AIR HOISTS

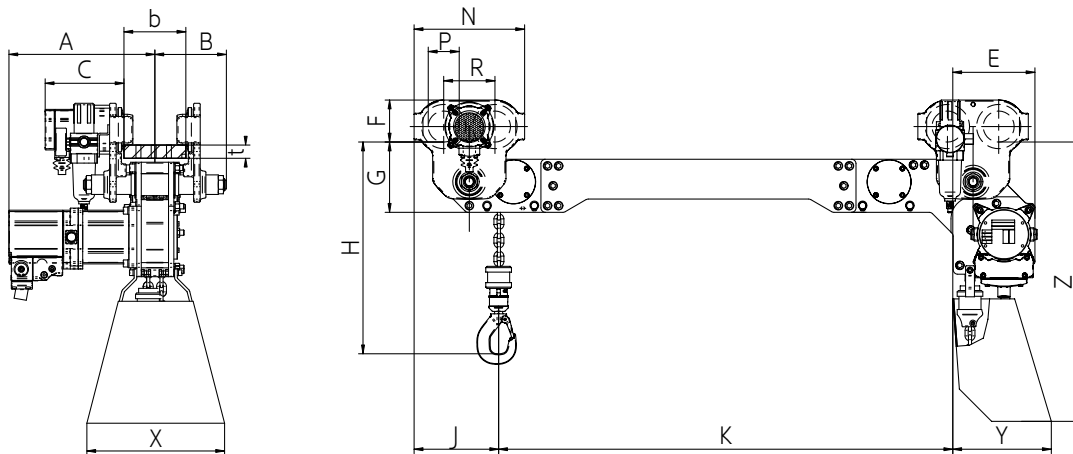
TECHNICAL DATA

Type		BBH 1000-1	BBH 2000-1
Capacity	mt	1.1	2.2
Air pressure	psi bar	87 6	
Number of hooks		1	
Number of chain strands		1	2
Motor output hoist	kW	0.7	
Motor output trolley	kW	0.2	
Lifting speed at full load	ft/min m/min	12.14 3.7	5.58 1.7
Lifting speed without load	ft/min m/min	24.61 7.5	11.48 3.5
Lowering speed at full load	ft/min m/min	32.81 10	16.40 5
Air consumption at full load – lifting	cfm m ³ /min	49.44 1.4	
Air consumption at full load – lowering	cfm m ³ /min	42.38 1.2	
Air consumption at full load – trolley	cfm m ³ /min	21.19 0.6	
Air connection		G ½	
Hose dimension (Ø inside)	inch mm	½ 13	
Weight at standard lift and minimum k dimension	lbs kg	286.60 130	302.03 137
Chain dimension	mm	7 x 21	
Weight of chain	lbs/ft kg/m	0.67 1	
Standard lift	ft m	10 3	
Length of control at standard load – lift	ft m	6.5 2	
Noise level at full load ¹ – lifting	dB(A)	76	
Noise level at full load ¹ – lowering	dB(A)	78	
Noise level at full load ¹ – trolley	dB(A)	80	

DIMENSIONS

Type		BBH 1000-1	BBH 2000-1
A	inch mm	13.1 332	
B	inch mm	6.4 163	8.7 220
b	min. inch mm	3.54 90	
	max. inch mm	12.20 310	
C	inch mm	7.17 182	
E	inch mm	7.68 195	
F	inch mm	3.7 95	
G	inch mm	6.3 159	
H	inch mm	15.3 388	17.24 438
J	inch mm	7.56 192	8.66 220
K	min. inch mm	17.13 435	16.14 410
	max. inch mm	43.31 1100	
L	inch mm	– –	
M	inch mm	1.10 28	
N	inch mm	9.84 250	
P	inch mm	2.76 70	
R	inch mm	4.57 116	
t max.	inch	1.18	
	mm	30	

Group mechanism: M4 (1 Arm) · ¹Measured at 1 m distance acc. to DIN 45635 part 20



TECHNICAL DATA

Type		BBH 1000-2	BBH 2000-2
Capacity	mt	1.1	2.2
Air pressure	psi bar	87 6	
Number of hooks		2	
Number of chain strands		2	4
Motor output hoist	kW	0.7	
Motor output trolley	kW	0.2	
Lifting speed at full load	ft/min m/min	12.14 3.7	5.58 1.7
Lifting speed without load	ft/min m/min	24.61 7.5	11.48 3.5
Lowering speed at full load	ft/min m/min	32.81 10	16.40 5
Air consumption at full load – lifting	cfm m ³ /min	49.44 1.4	
Air consumption at full load – lowering	cfm m ³ /min	42.38 1.2	
Air consumption at full load – trolley	cfm m ³ /min	21.19 0.6	
Air connection		G ½	
Hose dimension (Ø inside)	inch mm	½ 13	
Weight at standard lift and minimum k dimension	lbs kg	302.03 137	328.49 149
Chain dimension	mm	7 x 21	
Weight of chain	lbs/ft kg/m	0.67 1	
Standard lift	ft m	10 3	
Length of control at standard load – lift	ft m	6.5 2	
Noise level at full load ¹ – lifting	dB(A)	76	
Noise level at full load ¹ – lowering	dB(A)	78	
Noise level at full load ¹ – trolley	dB(A)	80	

DIMENSIONS

Type		BBH 1000-2	BBH 2000-2
A	inch mm	3.1 332	
B	inch mm	6.4 163	8.7 220
b	min. inch mm	3.54 90	
	max. inch mm	12.20 310	
C	inch mm	7.17 182	
E	inch mm	14.69 373	13.62 346
F	inch mm	3.74 95	
G	inch mm	6.26 159	
H	inch mm	15.3 388	17.24 438
J	inch mm	7.56 192	8.66 220
K	min. inch mm	10.24 260	
	max. inch mm	51.18 1300	
L	inch mm	6.89 175	5.91 150
M	inch mm	1.10 28	
N	inch mm	9.84 250	
P	inch mm	2.76 70	
R	inch mm	4.57 116	
t max.	inch mm	1.18 30	

Group mechanism: M4 (1 Am) · ¹Measured at 1 m distance acc. to DIN 45635 part 20

