

# JDN TROLLEYS



# JDN TROLLEYS

CAPACITIES: 0.25 T UP TO 20 T

**JDN Trolleys** are available for all hoists of the PROFI and M series:

- Manual trolleys (LN) for pushing or pulling the trolleys by hand
- Reel chain trolleys (LH) for moving the trolleys by operating the reel chain mechanism
- Motorised trolley (LM) air motor powered

## STANDARD FEATURES

- Easy to install
- With anti-climb and anti-drop devices
- Robust manufacture requiring little maintenance
- Able to negotiate curves

## OPTIONS

- Rack and pinion drive\*<sup>1</sup>
- Spark-resistant package\*<sup>2</sup>
- Offshore paint\*<sup>2</sup>

## ENERGY FEEDING SYSTEMS

The air supply can be fed by various systems:

- Energy chain
- C-rail
- Square rail
- Spiral hose
- Hose trolleys



PROFI 1 TI in  
Manual Trolley



PROFI 1 TI in  
Reel Chain Trolley



PROFI 2 TI in  
Motor Trolley

\*<sup>1</sup>From LM 3.2 t upwards

\*<sup>2</sup>Not available for LN 1 t

## TECHNICAL DATA

JDN Air Hoist PROF1		025 TI	05 TI	1 TI	1.5 TI	2 TI	3 TI/2	3 TI	6 TI	10 TI	16 TI	20 TI	
Capacity of trolley LN	mt	1 <sup>6</sup>			2		3.2		6.3	10-16		-	
Capacity of trolley LH and LM	mt	2					3.2		6.3	10-16		20	
Capacity of hoist with trolley	mt	0.25	0.5	1	1.6	2	3.2		6.3	10	16	20	
Weight of Manual Trolley (LN)	lbs kg	231 10.5			39.6 18		57.3 26		257.9 117	418.9 190		-	
Weight of Reel Chain Trolley (LH)	lbs kg	57.3 26					81.6 37		280 127	485 220		628.3 285	
Weight of Motor Trolley (LM)	lbs kg	57.3 26					72.8 33		273.4 124	485 220		628.3 285	
Hoist weight, standard lift	lbs kg	59.5 27	59.5 27	61.7 28	123.5 56	75 34	145.5 66	189.6 86	242.5 110	344 156	529 240	628.3 285	
Total weight with standard lift Manual Trolley	lbs kg	82.7 37.5	82.7 37.5	84.9 38.5	163.1 74	114.6 52	202.8 92	246.9 112	500.4 227	762.8 346	948 430	- -	
Total weight with standard lift Reel Chain Trolley	lbs kg	116.8 53	116.8 53	119.1 54	180.8 82	132.3 60	227.1 103	271.1 123	522.5 237	829 376	1014 460	1257 570	
Total weight with standard lift Motor Trolley	lbs kg	116.8 53	116.8 53	119.1 54	180.8 82	132.3 60	218.3 99	262.4 119	515.9 234	829 376	1014 460	1257 570	
Weight of chain	lbs/ft kg/m	0.67 1			1.2 1.8	0.67 1	1.2 1.8	2.6 3.8		3.9 5.8			
Chain dimension	mm	7x21			9x27	7x21	9x27	13x36		16x45			
Number of chain strands		1			2		1	2		3	4		
Air pressure Motor Trolley	psi bar	87 6			60-87 4-6	87 6	60-87 4-6	87 6					
Air consumption Motor Trolley <sup>4</sup> (at full load)	cfm m <sup>3</sup> /min	21.2 0.6					45.9 1.3						
Air consumption hoist (at full load)	cfm m <sup>3</sup> /min	53 1.5		53-92 1.5-2.6	53 1.5	53-92 1.5-2.6	194.2 5.5						
Motor output Motor Trolley <sup>4</sup>	kW	0.2									0.7		
Motor output hoist	kW	1		1.3-2	1	1.3-2	3.5						
Travelling distance Reel Chain Trolley, chain reel off	ft m	4.6 1.4								3.6 1.1	3.3 1.0		
Travelling speed Motor Trolley <sup>4</sup> (at full load)	ft/min m/min	29.5*/45.9 9*/14									16.4*/39.4 5*/12		
Hose connection Motor Trolley		G ½			G ¾	G ½	G ¾						
Minimum radius Manual Trolley	ft m	3.3 <sup>1</sup> 1.0 <sup>1</sup>			3.9 <sup>1</sup> 1.2 <sup>1</sup>		2.6 <sup>2</sup> 0.8 <sup>2</sup>		6.6 <sup>2</sup> 2 <sup>2</sup>		- -		
Minimum radius Reel Chain Trolley and Motor Trolley	ft m	2 <sup>2</sup> 0.6 <sup>2</sup>					2.6 <sup>2</sup> 0.8 <sup>2</sup>		6.6 <sup>2</sup> 2 <sup>2</sup>		8.2 <sup>2</sup> 2.5 <sup>2</sup>		
Max. bottom flange thickness t Manual Trolley	inch mm	1.0 25			1.1 28		1.6 40		2.6 <sup>5</sup> 65 <sup>5</sup>		- -		
Max. bottom flange thickness t Reel Chain and Motor Trolley	inch mm	1.6 40								2.6 <sup>5</sup> 65 <sup>5</sup>			
Max. bottom flange width b Manual Trolley	inch mm	8.7 220			12 305		12.2 310						
Max. bottom flange width b Reel Chain and Motor Trolley	inch mm	11 280					12.2 310						
Min. bottom flange width b Manual Trolley	inch mm	2.3 58			2.6 66		2.3 58	2.1 54	5 128		- -		
Min. bottom flange width b Reel Chain and Motor Trolley	inch mm	2.2 56					2.3 58	2.1 54	5 128		5.8 148		
Noise level at Motor Trolley <sup>3,4</sup>	dB(A)	80											

\*1. st speed of F control with two speeds

<sup>1</sup>Measured at the middle of the beam

<sup>2</sup>Measured at the inner edge of the beam

<sup>3</sup>Measured at 1 m distance acc. to DIN 45635 part 20

<sup>4</sup>At 6 bar

<sup>5</sup>55 mm, if hoist is suspended

<sup>6</sup>LN 1 t not available with spark-resistant package

- Capacities over 20 t see JDN Monorail Air Hoists page 30
- Versions with one and two hooks (e.g. BBH) see page 27
- Low Headroom Trolleys for restricted headrooms see page 25

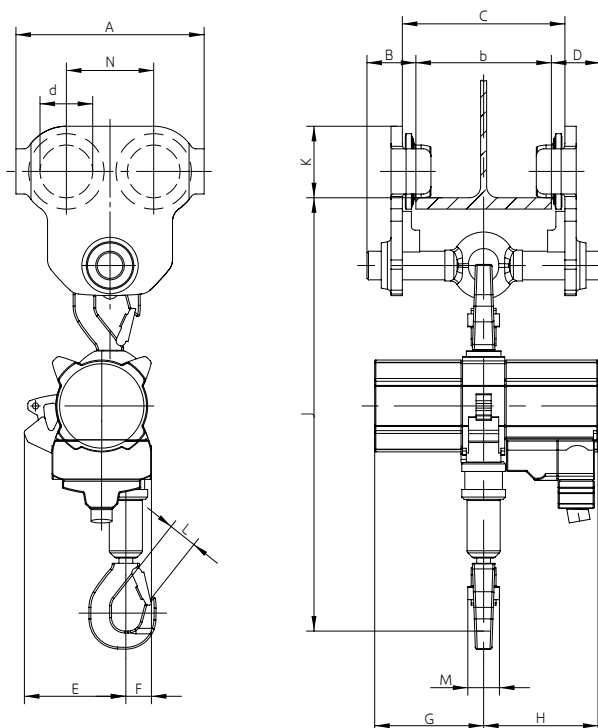
The designation of the trolley is composed of the short code (LN, LH, LM) and the carrying capacity acc. to table, as for example LN 1t.

## PROFI IN MANUAL TROLLEY (LN)

### DIMENSIONS

JDN Air Hoist PROFI		025 TI	05 TI	1 TI	1.5 TI	2 TI	3 TI/2	3 TI	6 TI	10 TI	16 TI
With Trolley		LN 1 t			LN 2 t		LN 3.2 t		LN 6.3 t	LN 10-16 t	
A	inch	10.2			12.2		11.5		19.7	19.3	
	mm	260			310		292		500	490	
B max.	inch	4.8			6.4		4.5		6.2	6.4	
	mm	122			162		113		157	162	
C	inch	$b + 1$					$b + 2.4$		$b + 2.8$		
	mm	$b + 26$					$b + 60$		$b + 70$		
d	inch	2.7			3.2		3.3		6.5		
	mm	68			80		84		165		
D max.	inch	4.8			6.4		4.5		6.2	6.4	
	mm	122			162		113		157	162	
E	inch	5.4			5.7	5.4	5.5	7.4	6.1	7.8	7.8
	mm	137			170	137	140	187	154	197	199
F	inch	1.5			1.8	1.8	3.0	1.8	3.1	4.3	
	mm	39			45	46	75	46	79	109	
G	inch	5.7			7.9	5.7	7.9	9.2		12.1	15
	mm	145			200	145	200	233		308	382
H	inch	6			3.3	6	3.3	9.8		10.5	12.2
	mm	152			212	152	212	250		267	310
J* (mounted)	inch	-	-	-	-	-	24.1	25	30	37	39
	mm	-	-	-	-	-	613	635	763	929	982
J* (suspended)	inch	20.9			23.1	23.5	-	31.4	36.2	46.3	49.6
	mm	530			588	597	-	798	919	1176	1260
K	inch	2.7		3.2	3.7		4.2		7.4		
	mm	67.5		81.5	94		107		188		
L	inch	1.1			1.0	1.1		1.2	1.6	1.7	2.1
	mm	28			26	28		30	40	44	53
M	inch	1.7			1.6	1.7		2		2.6	3.2
	mm	42			40	42		51		66	82
N	inch	5.1			5.9		5.4		9.3		
	mm	130			150		136		236		

\*Chain containers increase the hoist headroom

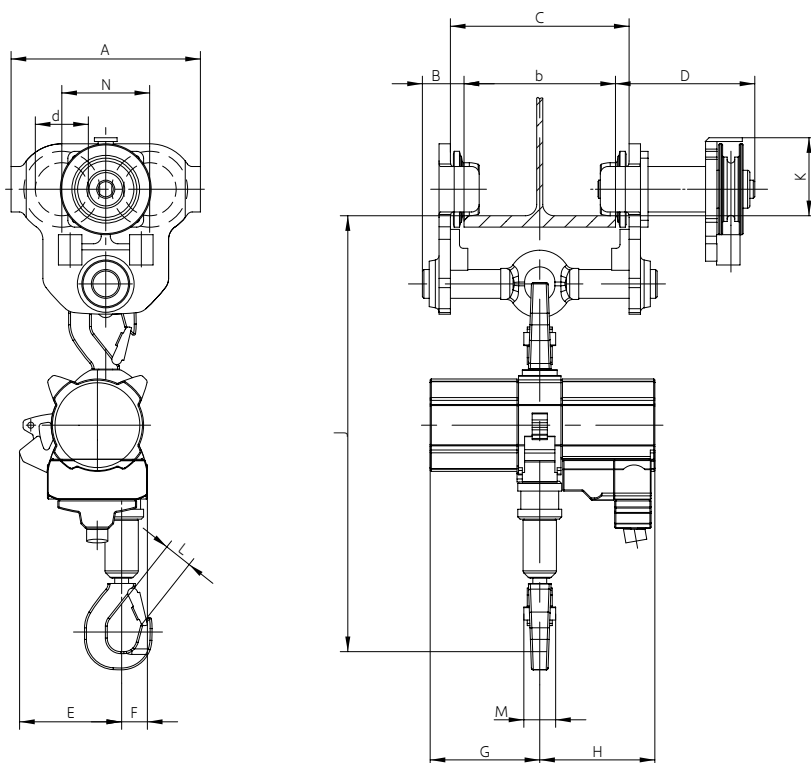


# PROFI IN REEL CHAIN TROLLEY (LH)

## DIMENSIONS

JDN Air Hoist PROFI		025 TI	05 TI	1 TI	1.5 TI	2 TI	3 TI/2	3 TI	6 TI	10 TI	16 TI	20 TI
With Trolley		LH 2 t					LH 3.2 t		LH 6.3 t	LH 10-16 t		LH 20 t
A	inch	9.8					11.5		19.7	19.3		23.6
	mm	250					292		500	490		600
B max.	inch	5.1					4.4		6.2	6.4		5.2
	mm	130					113		157	162		132
C	inch	$b + 14$					$b + 2.4$		$b + 2.8$		$b + 2.7$	
	mm	$b + 36$					$b + 60$		$b + 70$		$b + 68$	
d	inch	2.8					3.3		6.5		7.3	
	mm	70					84		165		185	
D	inch	7.2			11.2	7.2	11.6	11.6	12.1	12.6		12.6
	mm	184			284	184	294	294	307	320		320
E	inch	5.4			6.7	5.4	5.5	7.4	6.1	7.8	7.8	7.1
	mm	137			170	137	140	187	154	197	199	180
F	inch	1.5			1.7	1.8	3.0	1.8	3.1	4.3		5.3
	mm	39			45	46	75	46	79	109		135
G	inch	5.7			7.9	5.7	7.9	9.2		12.1	15	
	mm	145			200	145	200	233		308	382	
H	inch	6			3.3	6	3.3	9.8		10.5	12.2	
	mm	152			212	152	212	250		267	310	
J* (mounted)	inch	-	-	-	-	-	24.1	25	30	37	39	44.3
	mm	-	-	-	-	-	613	635	763	929	982	1125
J* (suspended)	inch	22.2			23.7	24.1	-	31.4	36.2	46.3	46.1	58.1
	mm	563			602	611	-	798	919	1176	1171	1475
K	inch	4.1					4.4		8.5		8.9	
	mm	103					110		215		226	
L	inch	1.1			1.0	1.1		1.2	1.6	1.7	2.1	2.9
	mm	28			26	28		30	40	44	53	75
M	inch	1.7			1.6	1.7		2		2.6	3.2	3.4
	mm	42			40	42		51		66	82	86
N	inch	4.6					5.4		9.3		10.8	
	mm	116					136		236		274	

\*Chain containers increase the hoist headroom





## PROFI IN MOTOR TROLLEY (LM)

JDN Air Hoist PROF I		025 TI	05 TI	1 TI	1.5 TI	2 TI	3 TI/2	3 TI	6 TI	10 TI	16 TI	20 TI
With Trolley		LM 2 t					LM 3.2 t		LM 6.3 t	LM 10-16 t		LM 20 t
A	inch mm	9.8 250					11.5 292		19.7 500	19.3 490		23.6 600
B max.	inch mm	5.1 130					4.4 113		6.2 157	6.4 162		5.3 134
C	inch mm	b + 1.4 b + 36					b + 2.4 b + 60		b + 2.8 b + 70		b + 2.7 b + 68	
d	inch mm	2.8 70					3.3 84		6.5 165		7.3 185	
D	inch mm	7.3 185		7.3 185	7.3 185	7.5 191		8.1 205	12.5 318		12.9 328	
E	inch mm	5.4 137		6.7 170	5.4 137	5.5 140	7.4 187	6.1 154	7.8 197	7.8 199	7.1 180	
F	inch mm	1.5 39		1.7 45	1.8 46	3.0 75	1.8 46	3.1 79	4.3 109		5.3 135	
G	inch mm	5.7 145		7.9 200	5.7 145	7.9 200	9.2 233		12.1 308	15 382		
H	inch mm	6 152		3.3 212	6 152	3.3 212	9.8 250		10.5 267	12.2 310		
J* (mounted)	inch mm	- -	- -	- -	- -	- -	24.1 613	25 635	30 763	37 929	39 982	44.3 1125
J* (suspended)	inch mm	22.2 563		23.7 602	24.1 611	- -	31.4 798	36.2 919	46.3 1176	46.1 1171	58.1 1475	
K	inch mm	3.7 95					4.2 107		7.4 188		8.6 218	
L	inch mm	1.1 28		1.0 26	1.1 28		1.2 30	1.6 40	1.7 42	2.1 55	2.9 75	
M	inch mm	1.7 42		1.6 40	1.7 42			2 51	2.6 66	3.2 82	3.4 86	
N	inch mm	4.6 116					5.4 136		9.3 236		10.8 274	

\*Chain containers increase the hoist headroom

